

OUTLINE

The HT9261 series are CMOS-based PFM step-up DC-DC Converter. The converter can start up by supply voltage as low as 0.8V, and capable of delivering maximum 200mA output current at 3.3V output with 1.8V input Voltage. Quiescent current drawn from power source is as low as 7uA. All of these features make HT9261 series be suitable for the portable devices, which are supplied by a single battery to four-cell batteries.

To reduce the noise caused by the switch regulator, HT9261 is well considered in circuit design and manufacture, so that the interference to other circuits by the device is reduced greatly.

HT9261 integrates stable reference circuits and trimming technology, so it can afford high precision and low temperature-drift coefficient of the output voltage.

HT9261 is available in SOT-89-3, SOT-23-3 and SOT-23-5 packages which is Pb free. And in 5-pin packages, such as SOT-23-5, the device can be switched on or off easily by CE pin, to minimize the standby supply current

FEATURES

- ◆ Deliver 200mA at 3.3V Output voltage with 1.8V input Voltage
- ◆ Low start-up voltage (when the output current is 1mA)-----0.8V
- ◆ The converter output voltage can be adjusted from 2.5V~6.0V(In 0.1V step).
- ◆ Output voltage accuracy ----- $\pm 2\%$
- ◆ Low temperature-drift coefficient of the output voltage----- 100ppm/ $^{\circ}\text{C}$
- ◆ Only three external components are necessary: An inductor, a Schottky diode and an output filter capacitor
- ◆ High power conversion efficiency---85%
- ◆ Low quiescent current drawn from power source----- $< 7\mu\text{A}$

APPLICATIONS

- ◆ Power source for PDA, DSC, MP3 Player, electronic toy and wireless mouse
- ◆ Power source for a single or dual-cell battery-powered equipments
- ◆ Power source for LED

SELECTION GUIDE:

HT9261- XX X XX

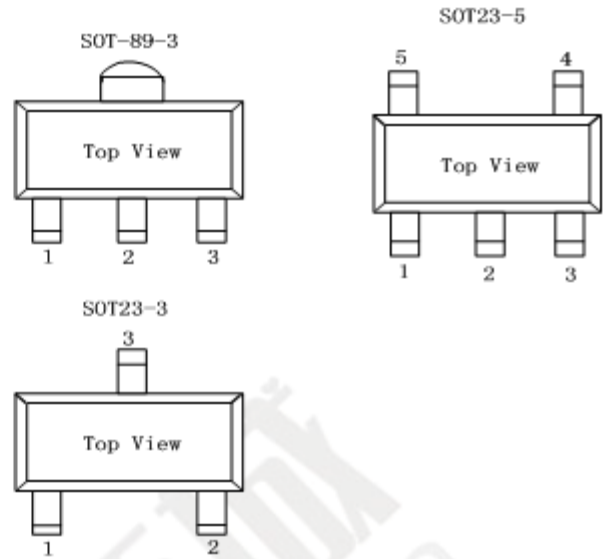
Package Type
 RN: SOT-23-5
 RM: SOT-23-3
 SM: SOT89

Function Description
 1: Internal Tr. Driver,
 Without Enable circuit
 2: Internal Tr. Driver,
 Without Enable circuit
 3: External Tr. Driver,
 Without Enable circuit
 4: External Tr. Driver,
 Without Enable circuit

Output Voltage
 25.....2.5V
 30.....3.0V

 60.....6.0V(In 0.1V
 step

PIN CONFIGURARION:



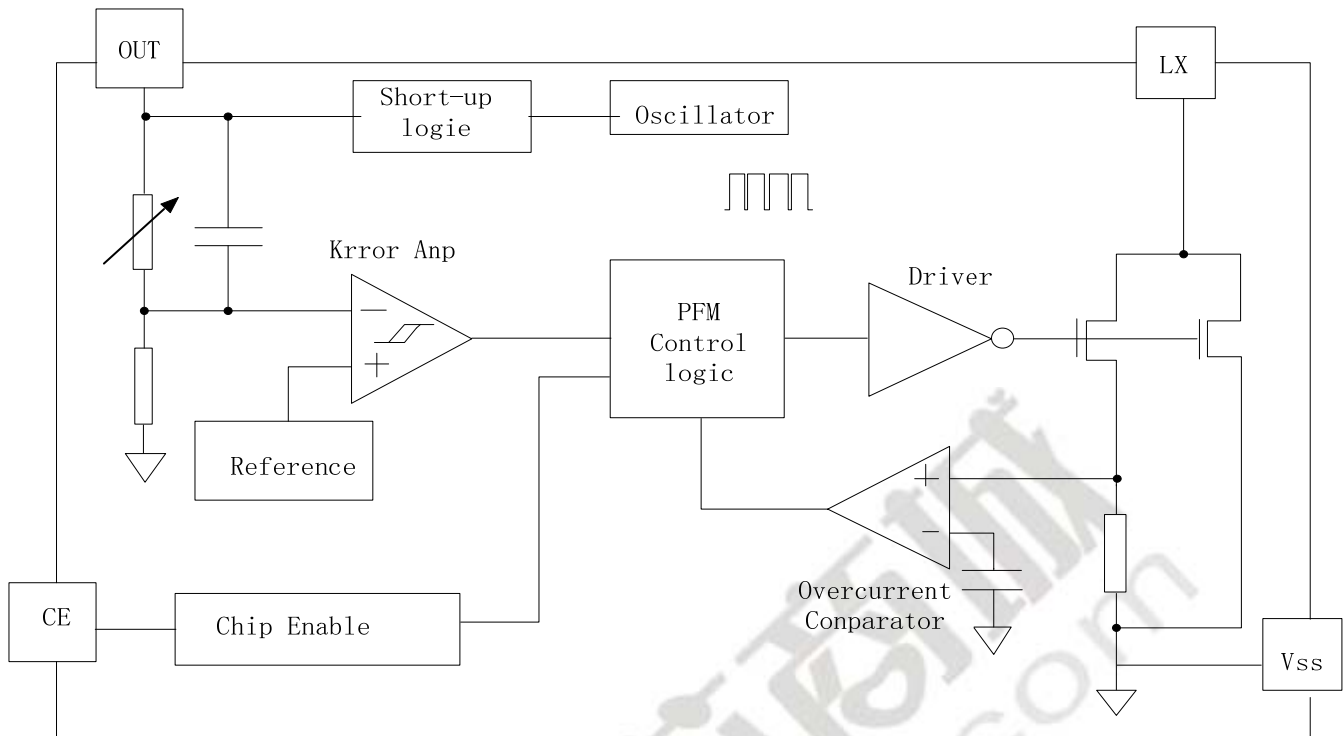
PIN DESCRIPTION

| Pin No. | | | Symbol | Description |
|----------|----------|----------|-----------------------|--|
| SOT-89-3 | SOT-23-3 | SOT-23-5 | | |
| 1 | 1 | 4 | V _{SS} (GND) | Ground pin |
| 2 | 2 | 2 | V _{out} | Output pin, power supply for internal circuits |
| 3 | 3 | 5 | L _x (Ext) | Switching pin |
| — | — | 3 | NC | - |
| — | — | 1 | CE | Chip enable pin (active high) |

PRODUCTOR LIST

| Product Name | Output Voltage | Lx Tr. Driver | Chip Enable | Package |
|--------------|----------------|---------------|-------------|----------|
| HT9261-XX1SM | XX V | Internal | No | SOT-89-3 |
| HT9261-XX1RM | XX V | Internal | No | SOT-23-3 |
| HT9261-XX2RN | XX V | Internal | Yes | SOT-23-5 |
| HT9261-XX3SM | XX V | External | No | SOT-89-3 |
| HT9261-XX3RM | XX V | External | No | SOT-23-3 |
| HT9261-XX4RN | XX V | External | Yes | SOT-23-5 |

BLOCK DIAGRAM



ABSOLUTE MAXIMUM RATINGS

| | | |
|---|-------|----------------------------|
| Input voltage range | ----- | -0.3V~12V |
| Input voltage: $V_i(LX)$ | ----- | -0.3V~($V_{out}+0.3$) |
| CE pin voltage | ----- | -0.3V~($V_{out}+0.3$) |
| Lx pin output current | ----- | -0.7A |
| Maximum power dissipation, P_d $T=25^\circ\text{C}$ | | |
| SOT-89-3 | ----- | -0.5W |
| SOT-23-5 | ----- | -0.15W |
| SOT-23-3 | ----- | -0.15W |
| Maximum junction temperature | ----- | -150 $^\circ\text{C}$ |
| Operating free-air temperature range | ----- | -20~+80 $^\circ\text{C}$ |
| Storage temperature range | ----- | -40~125 $^\circ\text{C}$ |
| Lead temperature and time | ----- | -260 $^\circ\text{C}$,10S |

RECOMMENDED OPERATING CONDITIONS

| | MIN | NOM | MAX | UNIT |
|--------------------------------|-----|-----|------|------|
| Input voltage range | 0.8 | | Vout | V |
| Inductor | 10 | 27 | 100 | μH |
| Input capacitor | 0 | ≥10 | | μF |
| Output capacitor* | 47 | 100 | 220 | μF |
| Operating junction temperature | -20 | | 85 | °C |

Suggestion: Use tantalum capacitor to reduce the ripple of the output voltage

ELECTRICAL CHARACTERISTICS

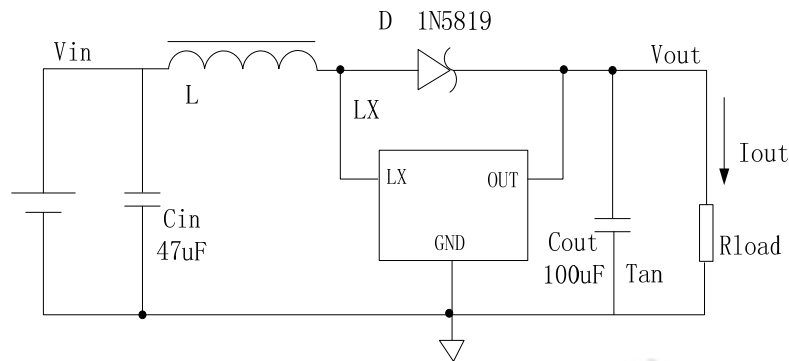
| SYMBOL | ITEM | TEST CONDITIONS | REFERENCE DATA | | | UNIT |
|---------|---|--|----------------|-----|-------|------|
| | | | MIN | TYP | MAX | |
| Vout | Output Voltage | Iout=10mA, Vin=Vout*0.6 | 2.45 | 2.5 | 2.55 | V |
| | | | 2.646 | 2.7 | 2.754 | |
| | | | 2.94 | 3.0 | 3.06 | |
| | | | 3.234 | 3.3 | 3.366 | |
| | | | 3.528 | 3.6 | 3.672 | |
| | | | 3.92 | 4.0 | 4.08 | |
| | | | 4.9 | 5.0 | 5.1 | |
| | | | 5.88 | 6.0 | 6.12 | |
| Vin | Input Voltage | | | 12 | V | |
| Iin | Input Current | Iout=0mA, Vin=Vout*0.6 | | 12 | 15 | uA |
| Vstart | Start-up voltage | Iout=1mA, Vin: 0→2V | | 0.8 | 0.9 | V |
| Vhold | Hold-on voltage | Iout=1mA, Vin: 2→0V | 0.6 | 0.7 | | V |
| IDD | Quiescent current drawn from power source | Without external components, Vout=Vout*1.05 | | 4 | 7 | uA |
| Rswon | Switch ON Resistance | | | 0.4 | 0.5 | Ω |
| ILXleak | LX leakage current | Vout=Vlx=6V | | | 0.5 | uA |
| VCEH | CE "H" threshold voltage | VCE: 0→2V | 0.6 | 0.9 | | V |
| VCEL | CE "H" threshold voltage | VCE: 2→0V | | 0.3 | 0.6 | V |
| Fosc | Oscillator frequency | LX on "L" side Vout=Vout*0.96 | 300 | 350 | 400 | Khz |
| Maxdty | Oscillator duty cycle | On (Vlx "L") side | 70 | 75 | 80 | % |
| η | Efficiency | | | 85 | | % |

NOTE:

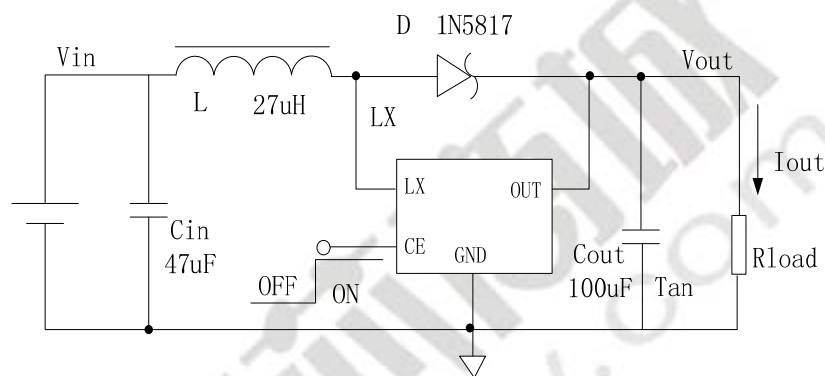
- ◆ Diode: Schottky type, such as: 1N5817, 1N5819, 1N5822
- ◆ Inductor: 27uH(R<0.5Ω)
- ◆ Capacitor: 100uF (Tantalum type)

TYPICAL APPLICATIONS

SOT-89-3 and SOT-23-3 Package



SOT-23-5 Package



DETAILED DESCRIPTION

The HT9261 series are boost structure, voltage-type pulse-frequency modulation (PFM) step-up DC-DC converter. Only three external components are necessary: an inductor, a output filter capacitor and a schottky diode. And the converter's low noise and low ripple output voltage can be adjusted from 2.5V to 5.0V, 0.1V step. By using the depletion technics, the quiescent current drawn from power source is lower than 7uA. The high efficiency device consists of resistors for output voltage detection and trimming a start-up voltage circuit, an oscillator, a reference circuit, a PFM control circuit, a switch protection circuit and a driver transistor.

The PFM control circuit is the core of the HT9261 IC. This block controls power switch on duty cycle to stabilize output voltage by calculating results of other blocks which sense input voltage, output voltage, output current and load conditions. In PFM modulation system, the frequency and pulse width is fixed. The duty cycle is adjusted by skipping pulses, so that switch on-time is changed based on the conditions such as input voltage, output current and load. The oscillate block inside HT9261 provides fixed frequency and pulse width wave.

The reference circuit provides stable reference voltage to output stable output voltage. Because internal trimming technology is used, The chip output change less than $\pm 2\%$. At the same time, the problem of temperature-drift coefficient of output voltage is considered in design, so temperature-drift coefficient of output voltage is less than $100\text{ppm}/^\circ\text{C}$.

High-gain differential error amplifier guarantees stable output voltage at difference input voltage and load. In order to reduce ripple and noise, the error amplifier is designed with high band-width.

Though at very low load condition, the quiescent current of chip do effect efficiency certainly. The four main energy loss of Boost structure DC-DC converter in full load are the ESR of inductor, the voltage of Schottky diode, on resistor of internal N-channel MOSFET and its driver. In order to improve the efficiency, HT9261 integrates low on-resistor N-channel MOSFET and well design driver circuits. The switch energy loss is limited at very low level.

SELECTION OF THE EXTERNAL COMPONENTS

Thus it can be seen, the inductor and schottky diode affect the conversion efficiency greatly. The inductor and the capacitor also have great influence on the output voltage ripple of the converter. So it is necessary to choose a suitable inductor, a capacitor and a right schottky diode, to obtain high efficiency, low ripple and low noise. Before discussion, we define

$$D = \frac{V_{out} - V_{in}}{V_{out}}$$

Inductor Selection

Above all, we should define the minimum value of the inductor that can ensure the boost DC-DC to operate in the continuous current-mode condition.,

$$L_{min} \geq \frac{D(1-D)^2 R_L}{2f}$$

The above expression is got under conditions of continuous current mode, neglect Schottky diode's voltage, ESR of both inductor and capacitor. The actual value is greater that it. If inductor's value is less than L_{min} , the efficiency of DC-DC converter will drop greatly, and the DC-DC circuit will not be stable. Secondly, consider the ripple of the output voltage,

$$\Delta I = \frac{D \cdot V_{in}}{L f}$$

$$I_{max} = \frac{v_{in}}{(1-D)^2 R_L} + \frac{D V_{in}}{2 L f}$$

If inductor value is too small, the current ripple through it will be great. Then the current through diode and power switch will be great. Because the power switch on chip is not ideal switch, the energy of switch will improve. The efficiency will fall.

Thirdly, in general, smaller inductor values supply more output current while larger values startup with lower input voltage and acquire high efficiency.

An inductor value of 3uH to 1mH works well in most applications. If DC-DC converter delivers large output current (for example: output current is great than 50mA), large inductor value is recommended in order to improve efficiency. If DC-DC must output very large current at low input supply voltage, small inductor value is recommended.

The ESR of inductor will effect efficiency greatly. Suppose ESR value of inductor is r_L , R_{load} is oad resistor, then the energy can be calculated by following expression:

$$\Delta \eta \approx \frac{r_L}{R_{load}(1-D)^2}$$

For example: input 1.5V, output is 3.0V, $R_{load}=20\Omega$, $r_L=0.5\Omega$, The energy loss is 10%.

Consider all above, inductor value of 47uH、ESR<0.5Ω is recommended in most applications. Large value is recommended in high efficiency applications and smaller value is recommended.

Capacitor Selection

Ignore ESR of capacitor, the ripple of output voltage is:

$$r = \frac{\Delta V_{out}}{V_{out}} = \frac{D}{R_{load} C_f}$$

So large value capacitor is needed to reduce ripple. But too large capacitor value will slow down system reaction and cost will improve. So 100uF capacitor is recommended. Larger capacitor value will be used in large output current system. If output current is small (<10mA), small value is needed.

Consider ESR of capacitor, ripple will increase:

$$r' = r + \frac{I_{max} \cdot R_{ESR}}{V_{out}}$$

When current is large, ripple caused by ESR will be main factor. It may be greater than 100mV。The ESR will affects efficiency and increase energy loss. So low-ESR capacitor (for example: tantalum capacitor) is recommend or connect two or more filter capacitors in parallel.

Diode Selection

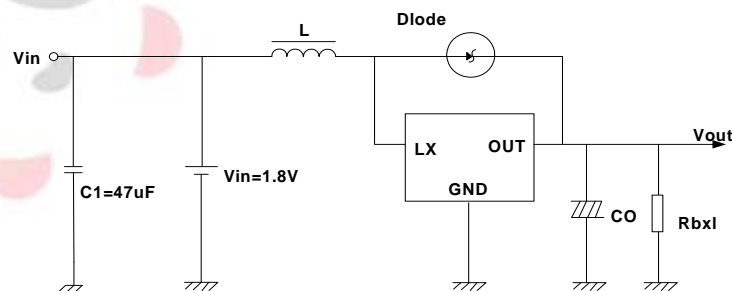
Rectifier diode will affects efficiency greatly, Though a common diode (such as 1N4148) will work well for light load, it will reduce about 5%~10% efficiency for heavy load, For optimum performance, a Schottky diode (such as 1N5817、1N5819、1N5822) is recommended.

Input Capacitor

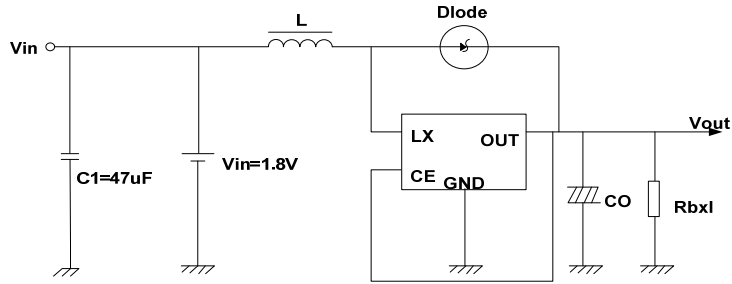
If supply voltage is stable, the DC-DC circuit can output low ripple, low noise and stable voltage without input capacitor. If voltage source is far away from DC-DC circuit, input capacitor value greater than 10uF is recommended.

TEST CIRCUITS

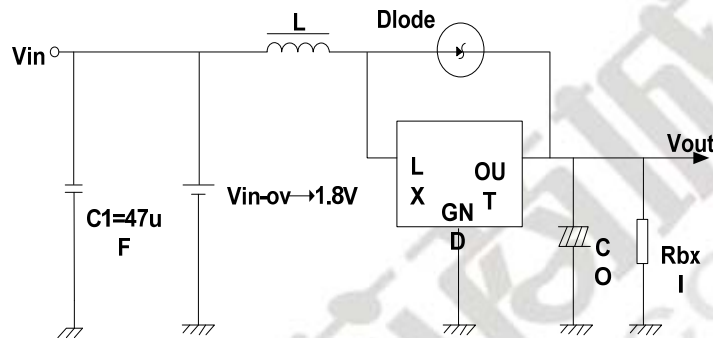
(1) Output voltage test circuit (Iload=1mA)
SOT-89-3&SOT-23-3 Package



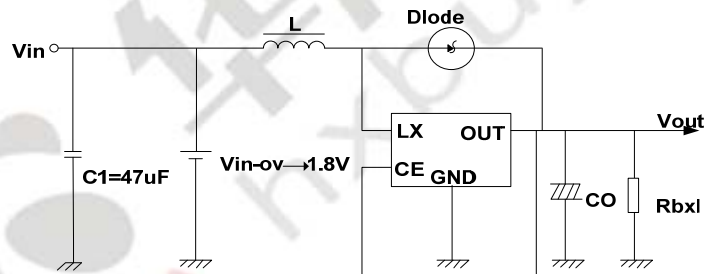
SOT-23-5 Package



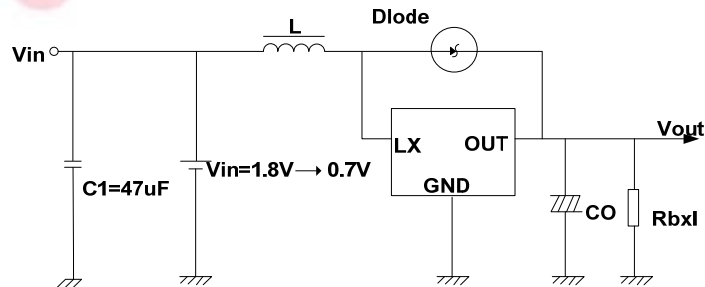
(2) Start-up voltage test circuit (Iload=1mA)
SOT-89-3 & SOT-23-3 Package



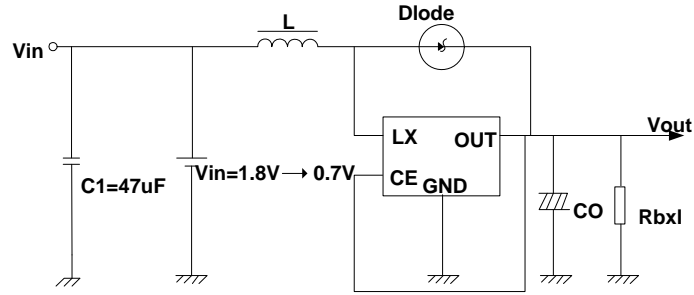
SOT-23-5 Package



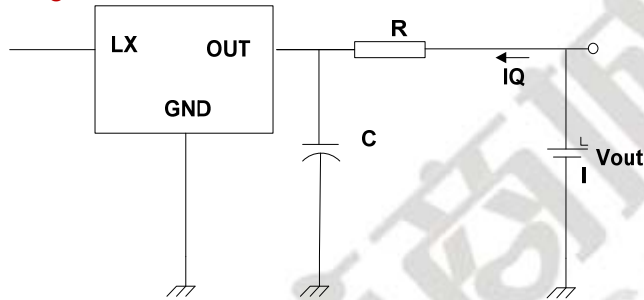
(3) Hold-on voltage test circuit (Iload=1mA)
SOT-89-3 & SOT-23-3 Package



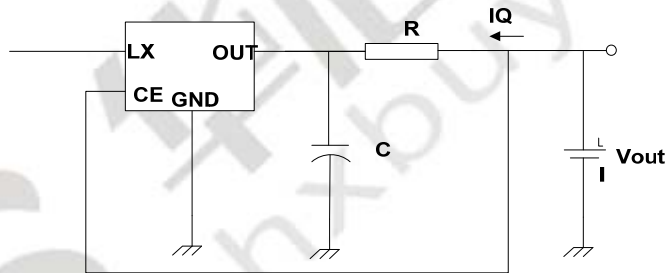
SOT-23-5 Package



(4) Quiescent current test circuit
SOT-89-3 & SOT-23-3 Package



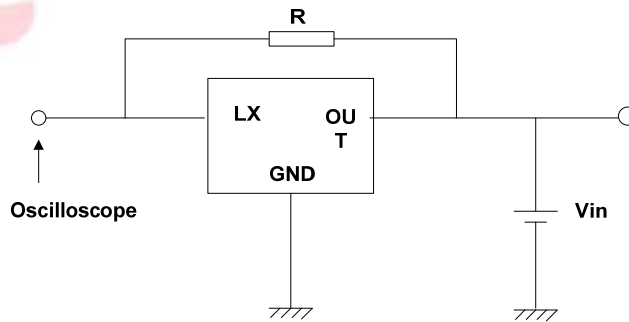
SOT-23-5 Package



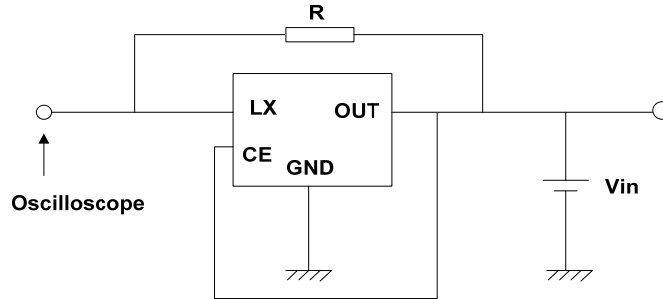
Note: $V_{out} = V_{out} * 1.05$, $R = 1K\Omega$, $C = 0.1\mu F$.

(5) Oscillator frequency and duty cycle test circuit

SOT-89-3 & SOT-23-3 Package



SOT-23-5 Package

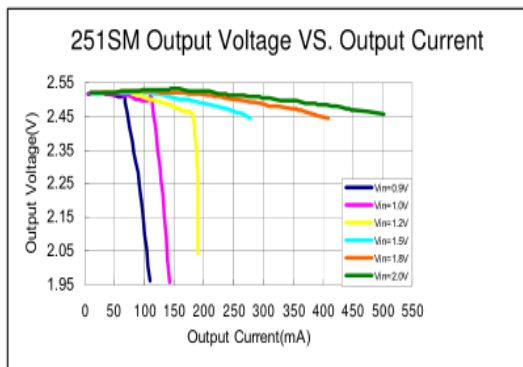


Note: $V_{in} = V_{out} * 0.95$, $R = 1K\Omega$.

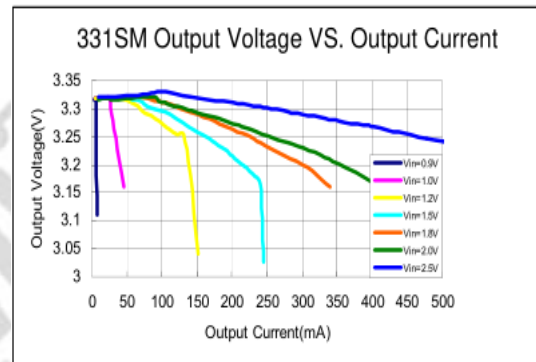
TYPICAL CHARACTERISTIC

(Recommended operating conditions: $C_{in} = 47\mu F$, $C_{out} = 47\mu F$, $T_{opt} = 25^{\circ}C$. unless otherwise noted)

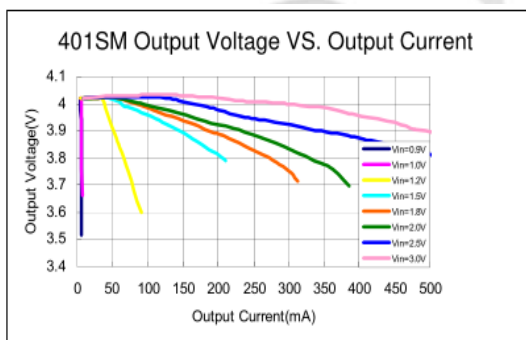
1. Output Voltage VS. Output Current



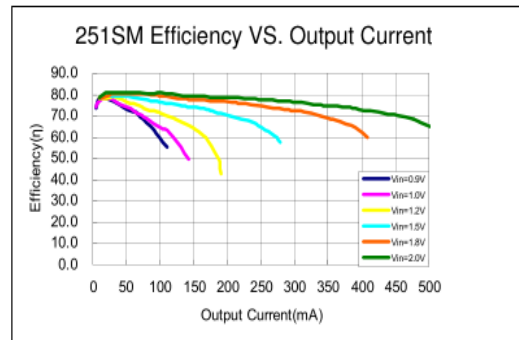
2. Output Voltage VS. Output Current



3. Output Voltage VS. Output Current

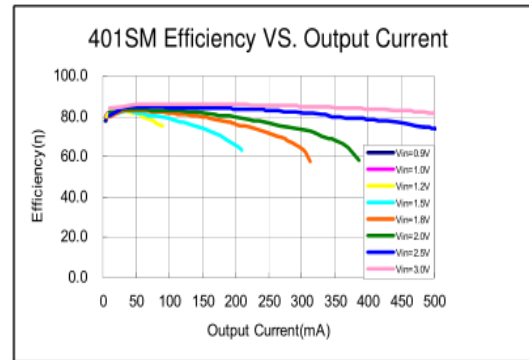
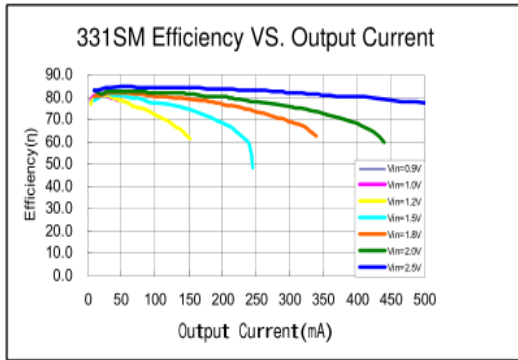


4. Efficiency VS. Output Current

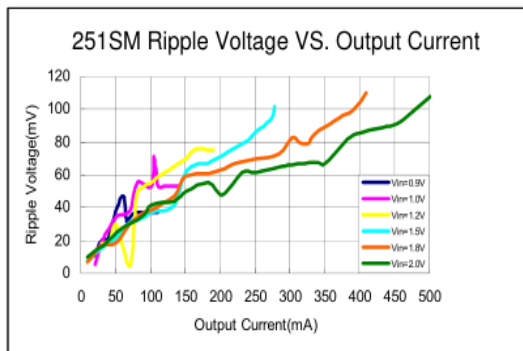


5. Efficiency VS. Output Current

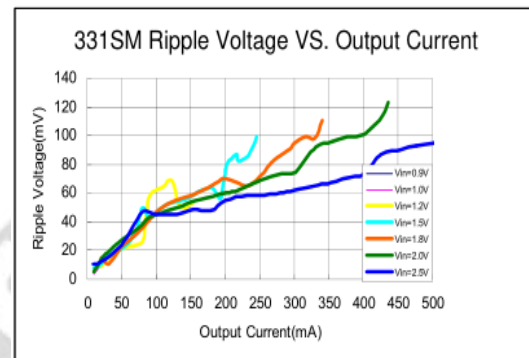
6. Efficiency VS. Output Current



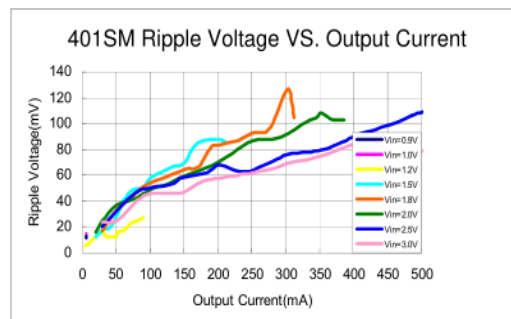
7. Ripple VS. Output Current



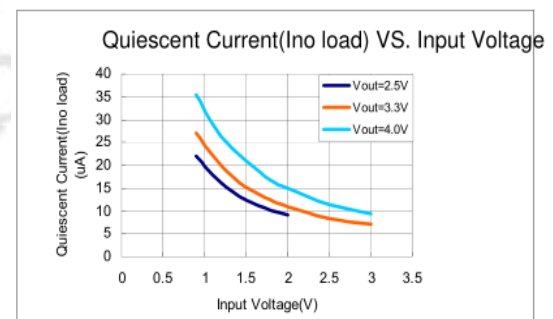
8. Ripple VS. Output Current



9. Ripple VS. Output Current

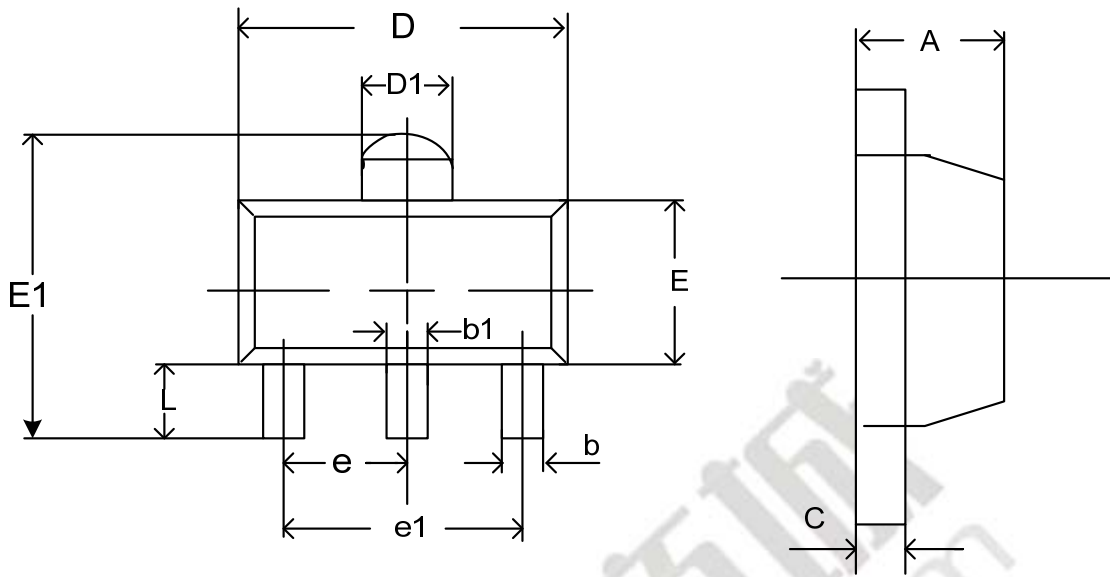


10. I_{no load} VS. Input Voltage



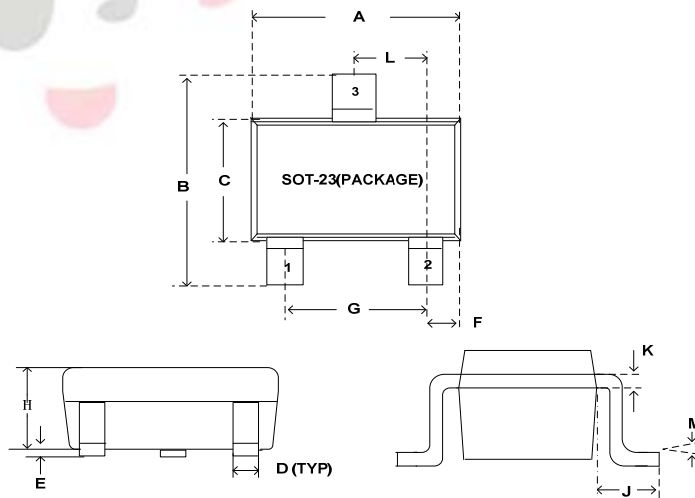
Package information:

SOT89-3



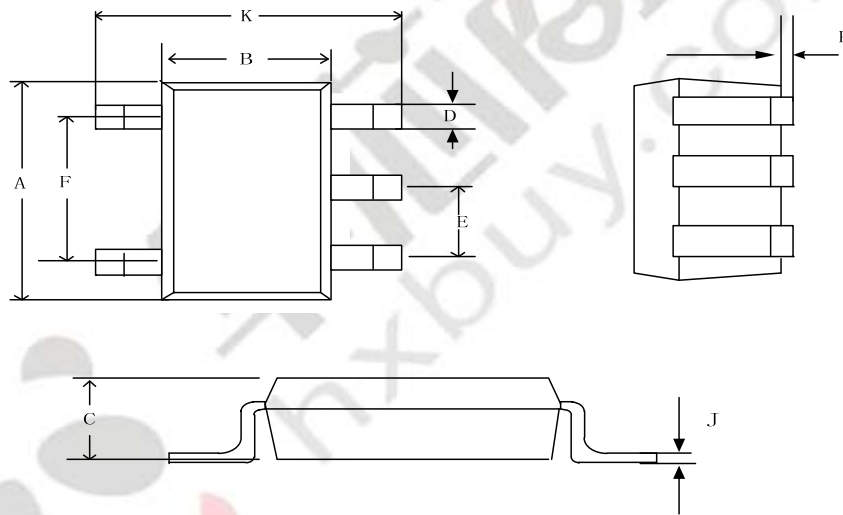
| Symbol | Dimensions in millimeters | | Symbol | Dimensions in millimeters | |
|--------|---------------------------|-------|--------|---------------------------|-------|
| | MIN | MAX | | MIN | MAX |
| A | 1.400 | 1.600 | E | 2.300 | 2.600 |
| b | 0.320 | 0.520 | E1 | 3.940 | 4.250 |
| b 1 | 0.360 | 0.560 | e | 1.5TYP | |
| c | 0.350 | 0.440 | e 1 | 2.900 | 3.100 |
| D | 4.400 | 4.600 | L | 0.900 | 1.100 |
| D1 | 1.400 | 1.800 | | | |

SOT23-3



| Symbol | Dimensions in millimeters | | Symbol | Dimensions in millimeters | |
|--------|---------------------------|------|------------|---------------------------|-------|
| | MIN | MAX | | MIN | MAX |
| A | 2.7 | 3.1 | | | |
| B | 2.4 | 2.8 | H(SOT23-3) | 0.977 | 1.383 |
| C | 1.4 | 1.6 | K | 0.10 | 0.2 |
| D | 0.35 | 0.5 | J | 0.4 | -- |
| E | 0 | 0.1 | L | 0.85 | 1.15 |
| F | 0.45 | 0.55 | M | 0° | 10° |
| G | 1.9REF | | | | |

SOT23-5



| Symbol | Dimensions in millimeters | | Symbol | Dimensions in millimeters | |
|--------|---------------------------|------|--------|---------------------------|------|
| | MIN | MAX | | MIN | MAX |
| A | 2.80 | 3.05 | F | 1.90TYP | |
| B | 1.50 | 1.75 | H | — | 0.15 |
| C | 0.90 | 1.30 | J | 0.090 | 0.20 |
| D | 0.35 | 0.50 | K | 2.60 | 3.00 |
| E | 0.95TYP | | | | |